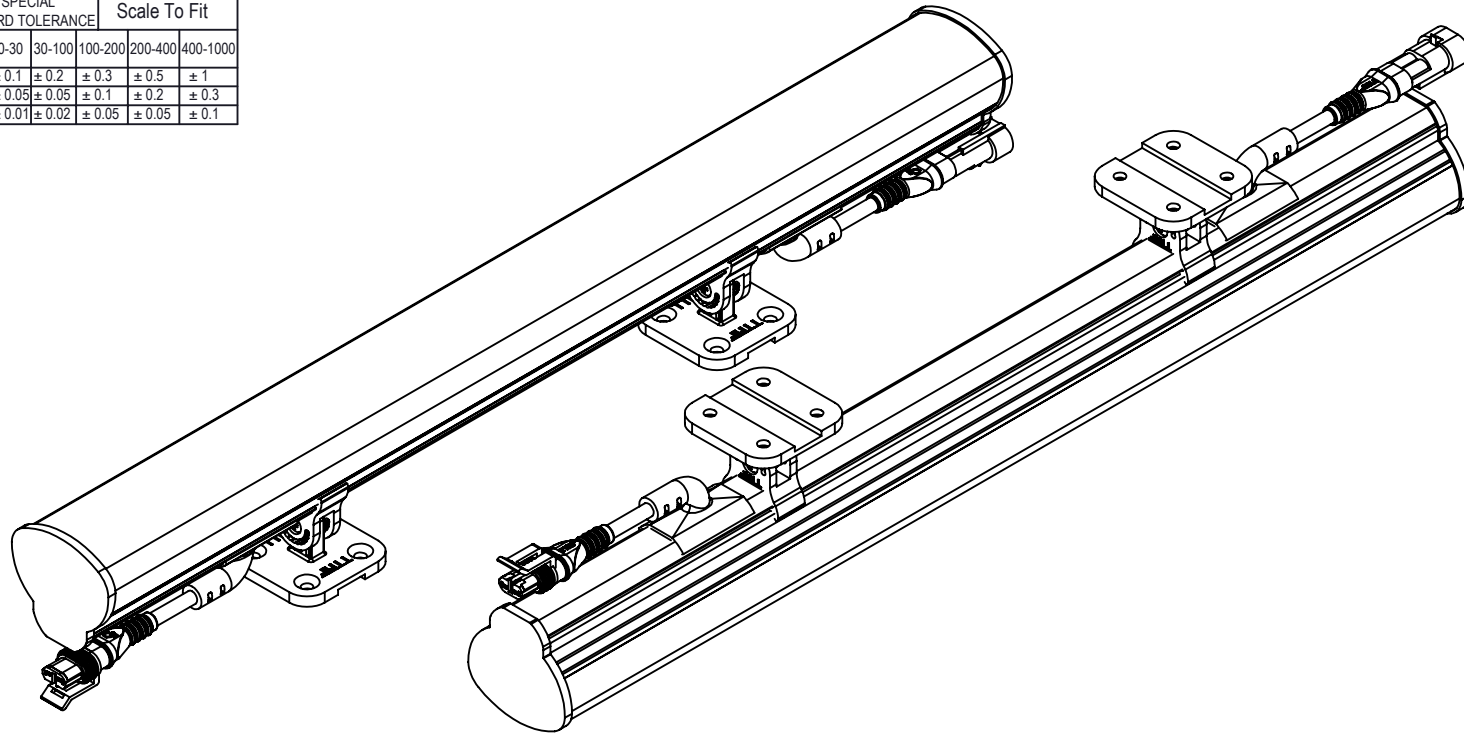
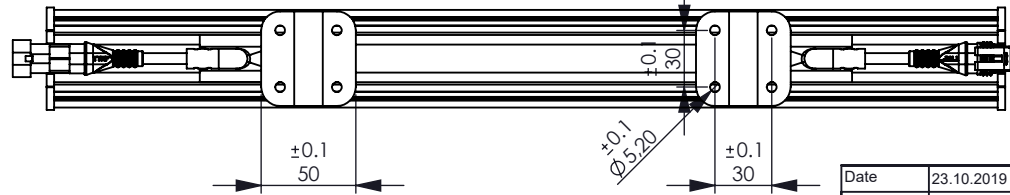
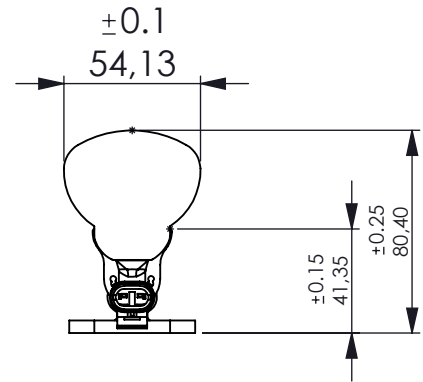
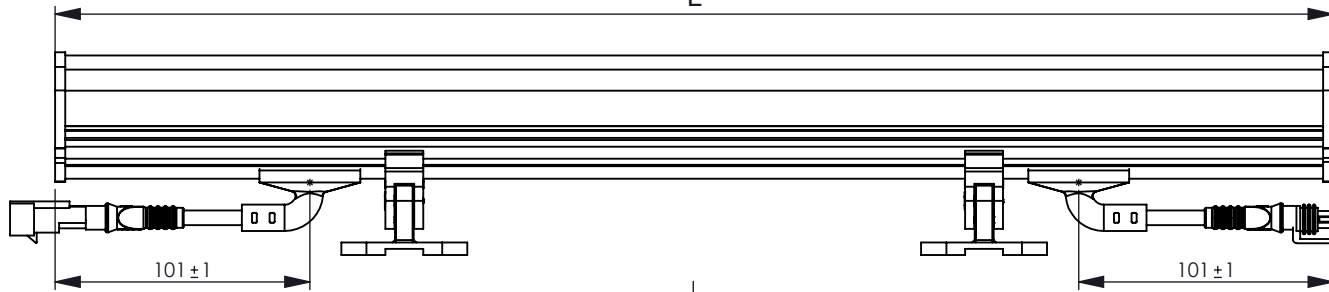


TOL. UNLESS SPECIAL SEE STANDARD TOLERANCE		Scale To Fit				
NOMINAL DIMENSION	0-30	30-100	100-200	200-400	400-1000	
0	±0.1	±0.2	±0.3	±0.5	±1	
0.0	±0.05	±0.05	±0.1	±0.2	±0.3	
0.00	±0.01	±0.02	±0.05	±0.05	±0.1	



"L"



Date	23.10.2019	Signature	Rev.	Revision Detail	Rev.Date	By	Drawing Description		
Drawn	Baris ILDAS		-		-	-	Volans 2		
Checked	Gokhan ERDOGAN								
Approved	Orcun KARADENIZ								
							Drawing No	Scale	Sheet
							-	-	1/1

